



Stellar-ET Series Lasers
For Light-Shows, Entertainment

Performance Specifications

Beam Diameter 1/e ²	0.65mm
Beam Divergence	0.95 mrad (TEM ₀₀ Only)
Beam Amplitude Noise	<15% RMS
Beam Output Power Drift	Not Controlled
Warm-up Time	5 Minutes (from cold start)
Start Delay	30 Seconds (approx.)
Line Voltage	120VAC ± 10%
Line Voltage (optional)	220VAC ± 10%
Line Frequency	60/50Hz
Power Consumption	1500 Watts Max.
Dimensions(HxWxL)	5.06" x 7.60" x 13.00" (12.9cm x 19.3cm x 33.0cm)
Weight	13 lbs. (5.9 kg.)
Cooling	Forced Air

Stellar-ET Series lasers are designed to provide superior ion laser performance for the entertainment industry. The Stellar-ET may be used in conjunction with beam manipulation technology to create multi-color sweeping beams or projected images.

The Stellar-PRO series laser offers a compact design and is ideal for applications where space is a premium. In addition to its diminutive size, it is designed to be robust and durable. The maintenance-free sealed mirror laser tube is ruggedly supported for exceptional resistance to vibration and rough handling.

Embedded dual cooling fans, in combination with our exclusive "Dual Channel" air-flow design, provide quiet and highly efficient cooling of the laser tube while isolating the state-of-the-art power supply from potential airborne contaminants.

Modu-Laser, LLC

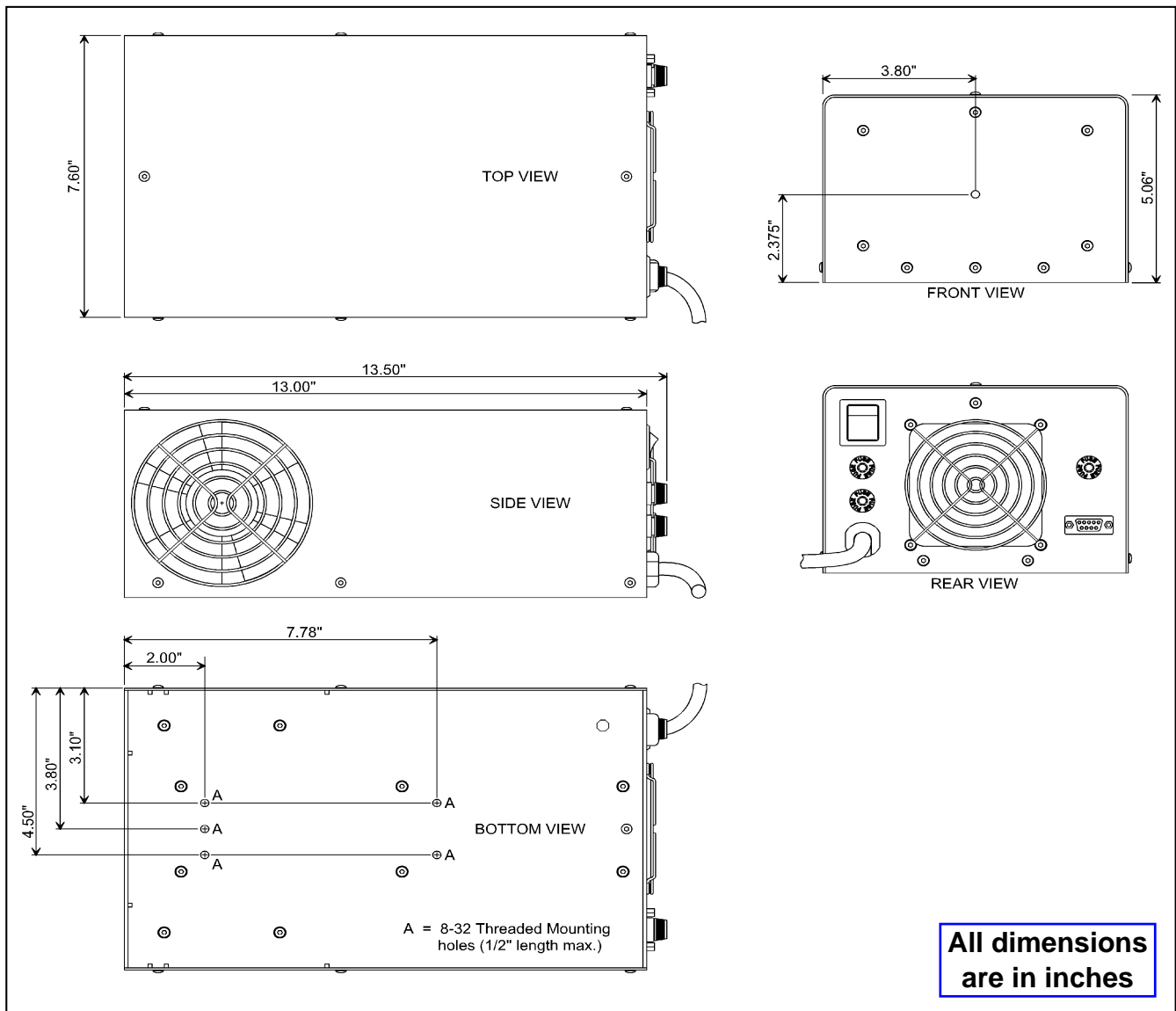
4603 West 8490 South
 West Jordan, Utah 84088

Phone: (800) 764-2967

Fax: (800) 764-2968

E-Mail: info@modu-laser.com

www.modu-laser.com



Available Output Configurations

Wave Lengths	Mode	Polarization Available	Maximum Power
Multi-line	TEM ₀₀ Multi-Mode	Yes No	150mW 300mW

