

Distance Sensor M9

- Measuring
- Controlling
- Monitoring

Innovative

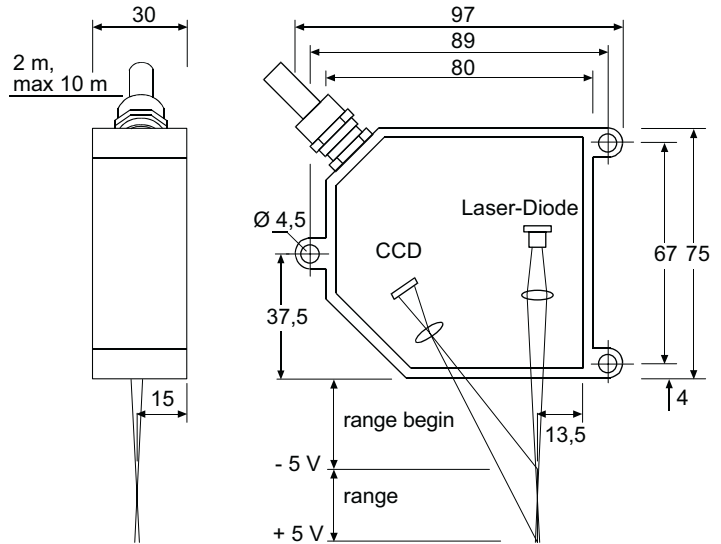
Laser Sensor up to 5 kHz

Triangulation digital



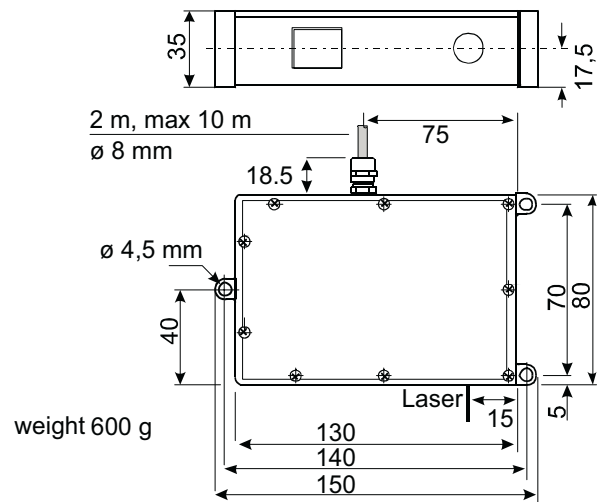
Sensor head Type /2 /10 /20 /50 /100 /200

Weight 500 g, cable length 2 m



Sensor head M9L/ 500

Weight 500 g, cable length 2 m



■ measurements on many different surfaces possible

Laser Sensor M9

For high accuracy

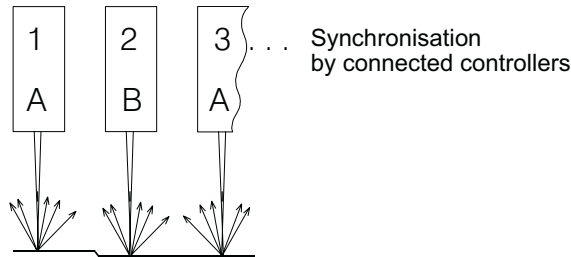
Sensor		M9L/ 2	M9L/ 10	M9L/ 20	M9L/ 50	M9L/ 100	M9L/ 200	M9L/ 500
Range [mm]		2	10	20	50	100	200	500
Range begin [mm]		24	30	40	45	70	70	200
Linearity* [mm]		0,002	0,008	0,015	0,04	0,08	0,2	0,4
Resolution* [mm]		0,0002	0,002	0,004	0,01	0,02	0,04	0,05
Light spot diameter [mm]		0,2	0,4	0,3	0,5	0,6	1,2	1,5
Light source		Laser, 670 nm, red visible						
Laser protection class		2						
Distance output		±5 V / optional RS 232						
Angle error		with 30° of inclination (A-axis): approx. 0,5% on white surface						
Reaction time		1,5 ms						
Bandwith		5 kHz (-3 dB)						
Temperature drift		0,01% of range / K						
Switching output	not enough light	30 V / 100 mA optical coupler						
Ambient light		10.000 Lux						
Operation time		50.000 h for Laser diode						
Isolation voltage		200 VDC, 0V against case						
max. Vibration		5 g up to 1 kHz						
Operation temperature		0° ... +50°C						
Storage temperature		-20° ... +70°C						
Humidity		5 - 95% RH						
Protection class		Sensor IP 65, Controller IP 50						
Supply		21 ... 27 VDC < 500 mA						

3 ms
2,5 kHz

* Measurement on object color white

Delivery:

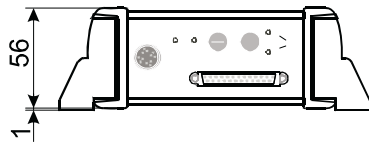
- Sensor with connection cable 2 m
- Controller
- 25pin D-connector, soldering version
- Calibration report



Accessories:

- Cable extension
- Protection casing

Controller for all types of sensors
Weight 1000 g

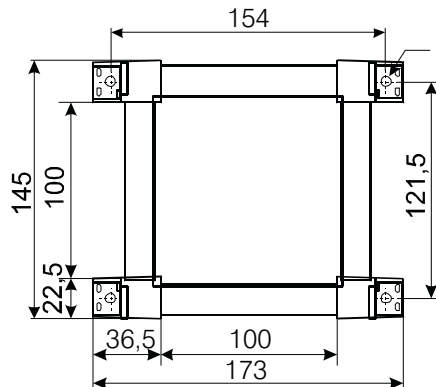


If the sensors are mounted too close, the ambient light of a close-by sensor can influence the measurement result

Options:

- RS 232-Interface

Synchronisation is standard.



The controllers have to be wired together.